

Dear customer,

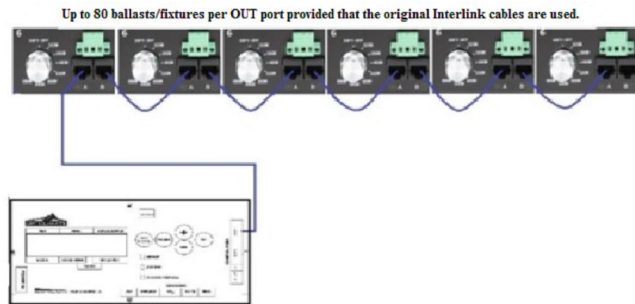
The new EVO 1.2 Maxi-controller has a new simpler system to connect the controller with the Ballast/fixtures. It is no longer necessary to use a 2-wire cable. By means of an interlink cable, all ballasts/fixtures are connected with a RJ45 plug. The electronics in the system now switches lamps at halfforce or a high temperature protection on/off in a alternative patern (chessboard style) Lamps in halfforce or high temperature protection that are off, will now switch-over every 240minutes with lamps that are on to create a light pattern as evenly as possible.

The Interlink cables are available in various lengths. Ask your dealer for more info.

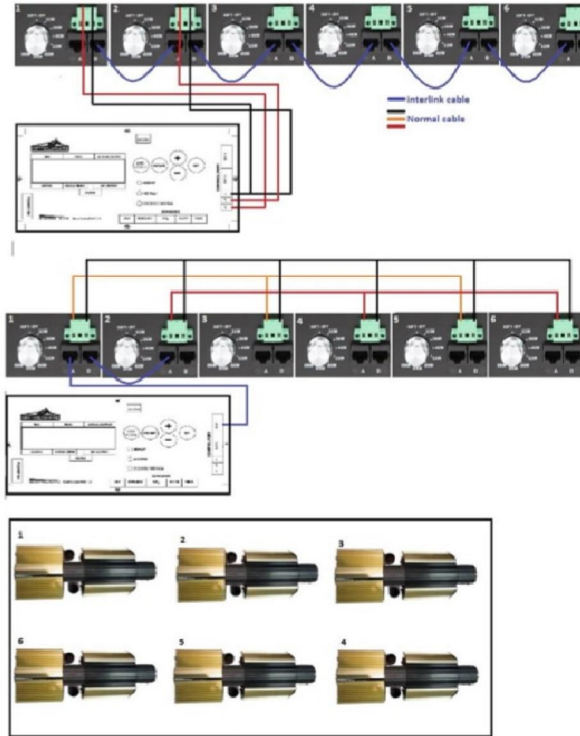
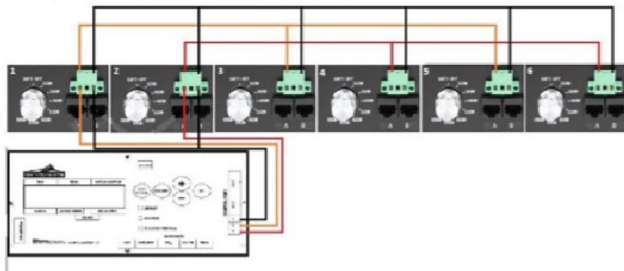
600watt Extreme (remote) = 0,6mtr
315 and 600watt Expert = 2,0mtr
630 and 1000watt Expert = 2,5mtr

Separately available; 1,5mtr, 2,0mtr, 3,5mtr, 5,0mtr, 10mtr

Up to 80 ballasts/fixtures per OUT port provided that the original Interlink cables are used.



Other options for use in older or existing installations



Odd numbers go off in halfforce or high temperature protection