

Dear customer,

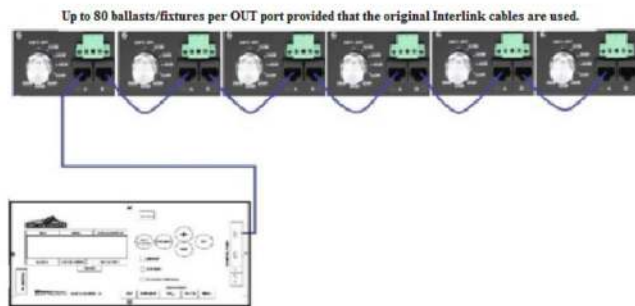
The new EVO 1.2 Maxi-controller has a new simpler system to connect the controller with the Ballast/fixtures. It is no longer necessary to use a 2-wire cable. By means of an interlink cable, all ballasts/fixtures are connected with a RJ45 plug. The electronics in the system now switches lamps at half force or a high temperature protection on/off in a alternative patern (chessboard style) Lamps in half force or high temperature protection that are off, will now switch-over every 240minutes with lamps that are on to create a light pattern as evenly as possible.

The Interlink cables are available in various lengths. Ask your dealer for more info.

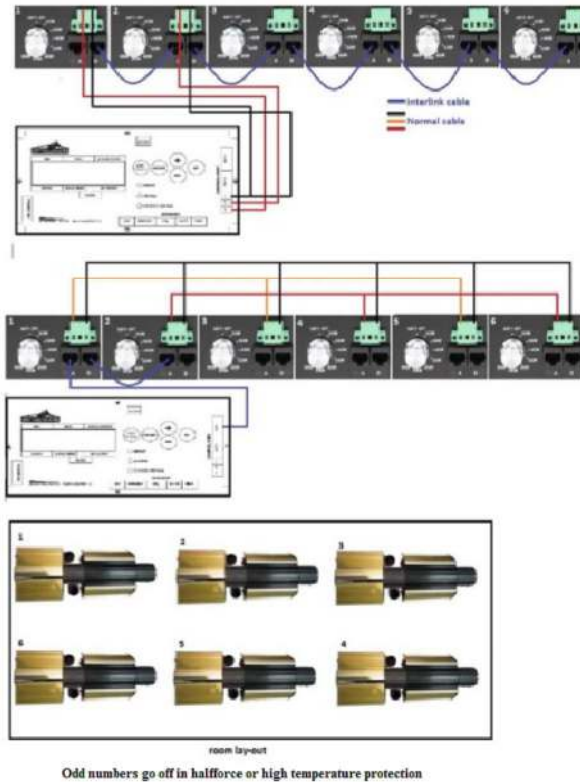
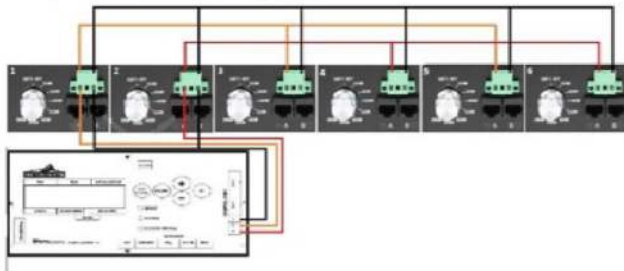
600watt Extreme (remote) = 0,6mtr  
315 and 600watt Expert = 2,0mtr  
630 and 1000watt Expert = 2,5mtr

Separately available; 1,5mtr, 2,0mtr, 3,5mtr, 5,0mtr, 10mtr

Up to 80 ballasts/fixtures per OUT port provided that the original Interlink cables are used.



Other options for use in older or existing installations



room lay-out  
Odd numbers go off in half force or high temperature protection