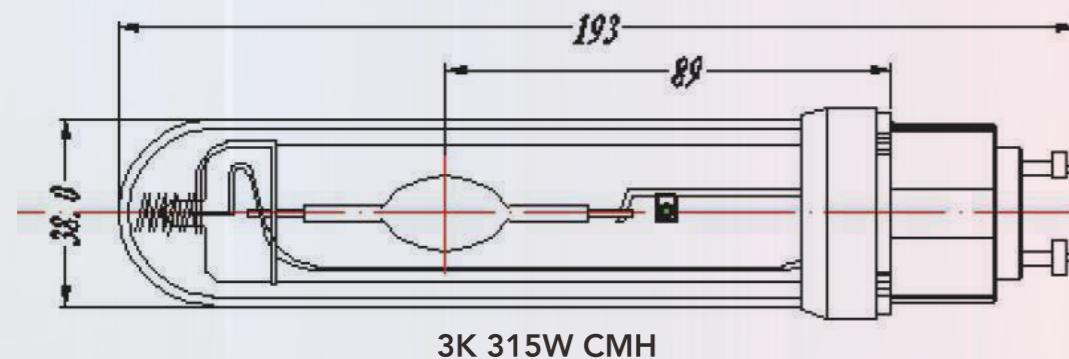


315W 3K-Agro CMH Lamp

315w CMH Lamps are suitable for use in all standard 315w CMH fixtures. 315w CMH Lamps use a proprietary phosphor coating on the outside of the arc tube to provide you with the richest spectrum on the market.

Features:

- For use in any standard 315w CMH fixture
- Produces more PAR per watt than HPS
- Richest spectrum flowering lamp on the market with a CRI of 90
- Optimal for flowering but can be used for Veg as well
- Promotes higher rate of metabolic activity and resin production through the use of UV and Far-red spectra



*Always wear protective lenses when operating near HID lamps.

Specifications

- CMH-315W/830/HG/PGZX18

Performance Data

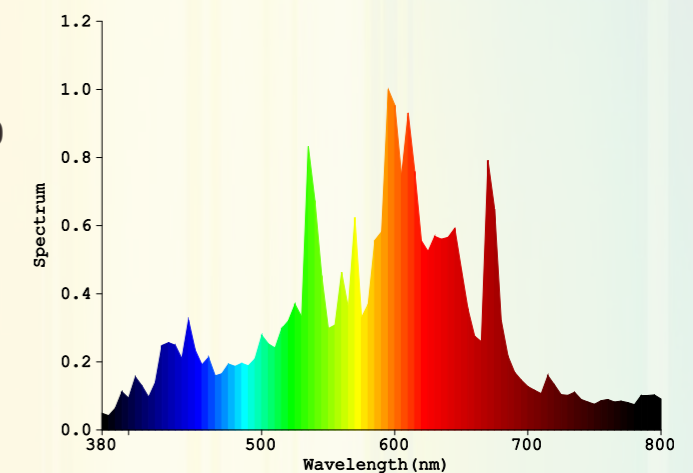
- Light output (Lumens @ 100 Hours)..... 36000
- Lumens per Watt (lm/w)..... 115
- Rated life (Hours @ 10 Hour / start)..... 15000
- Correlated Color Temperature (K)..... 3100
- Color Rendering Index (CRI) or (Ra)..... ≥ 90
- Photon flux ($\mu\text{mol/s}$)..... 580
- Burning Position..... U

Physical Data/Requirements

- Max.Base Temperature ($^{\circ}\text{C}$)..... 250
- Max.Bulb Temperature ($^{\circ}\text{C}$)..... 350
- Luminaire Type..... Open/Enclosed

Lamp Electrical Data/Requirements

- ANSI Standard Ballast..... C182/0 or Electronic
- Lamp Wattage (W)..... 315W
- Lamp Operating Voltage(V)..... 100V
- Lamp Operating Current(Amps)..... 3.15A
- Min.-Max.Starting pulse (Peak KV)..... 3-4
- Min.Open Circuit Voltage (RMS)..... 198V
- Min.Pulse Width @ 2700V(Microseconds)..... 1.9
- Min.Pulse Rate per 1/2Cycle..... -
- Pulse position (Electrical Degrees)..... -



Lumen Maintenance (%)

